

# FLOATMATIC

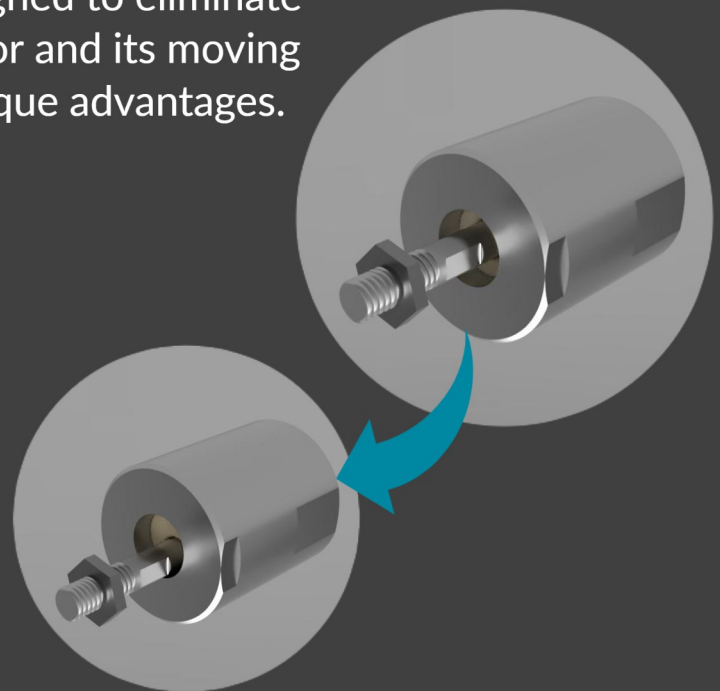


## Free floating joint for linear actuators

Floatmatic is a free floating joint designed to eliminate any disalignment between the actuator and its moving parts. The patented design offers unique advantages.

### **FLOATMATIC ADVANTAGES:**

- Largest displacement of all floating joints on the market
- Fully serviceable
- No loss of parallelism between the actuator and its moving parts



Floatmatic increases lifetime of the actuator by eliminating any disalignment between its moving parts - without any loss of parallelism.

# Floating joint

FLOATMATIC

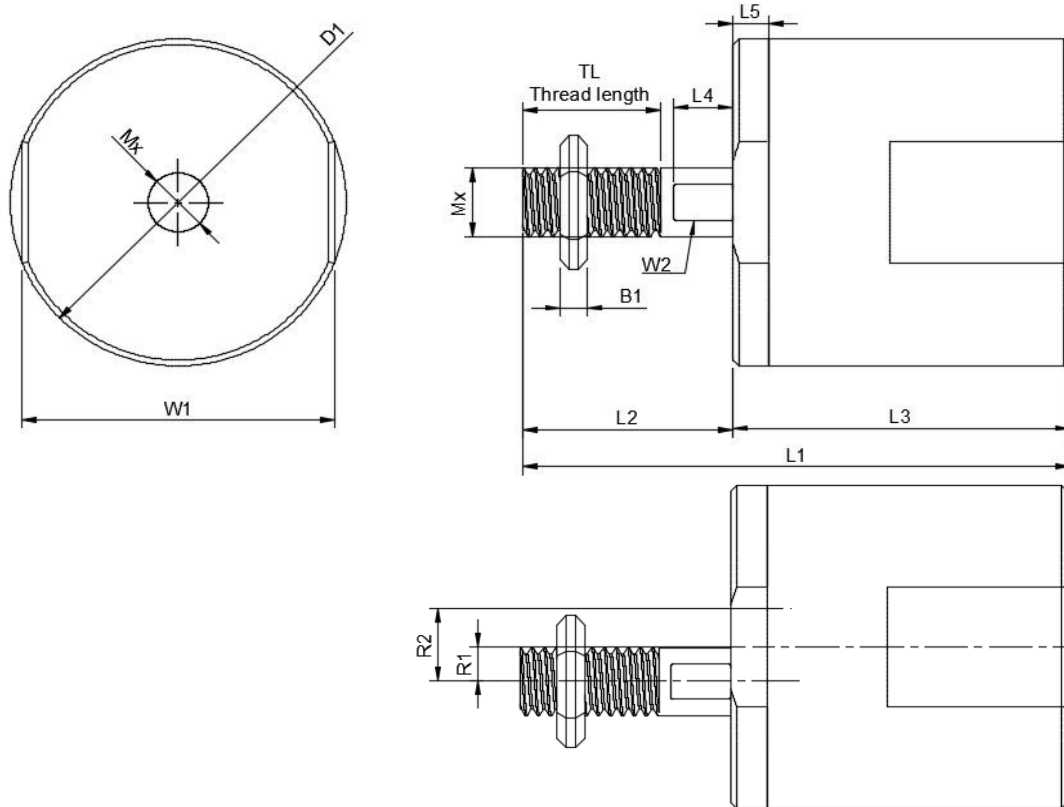
Technical specifications

## Scope of delivery:

- 1 Floatmatic
- 1 hex nut to DIN 439

## Material:

- Galvanised steel, S355
- POM



## Dimensions and radial displacement [mm]

Mx	L1	L2	L3	L4	L5	Part no.
M4	41,5	15	26,5	5	5	10006
M6	47,5	17,5	30	5	5	10000
M8	57	22	35	6	7	10018
M10	69	28	41	7	7	10024
M10 x 1,25	69	28	41	7	7	10040
M12	78,5	32	46,5	7	8	10030
M12 x 1,25	78,5	32	46,5	7	8	10046
M16	103,5	41	62,5	8	10	10012
M16 x 1,5	103,5	41	62,5	8	10	10052
M20 x 1,5	122	49	73	8	10	10058
M27 x 2	161	75	86	20	12	10064

Mx	W1	W2	TL	B1	D1	R1	R2	Tensile and compressive load [N]
M4	19	3,2	9	2,2	20	2	4	400
M6	26	5	11,5	3,2	28	3	6	800
M8	32	7	15	4	34	4	8	1200
M10	40	9	20	4	42	5	10	1500
M10 x 1,25	40	9	20	4	42	5	10	1500
M12	46	11	24	6	48	6	12	2000
M12 x 1,25	46	11	24	6	48	6	12	2000
M16	61	14	32	8	64	8	16	5000
M16 x 1,5	61	14	32	8	64	8	16	5000
M20 x 1,5	64	18	40	10	68	8	16	15000
M27 x 2	70	25	54	13,5	74	8	16	24500